

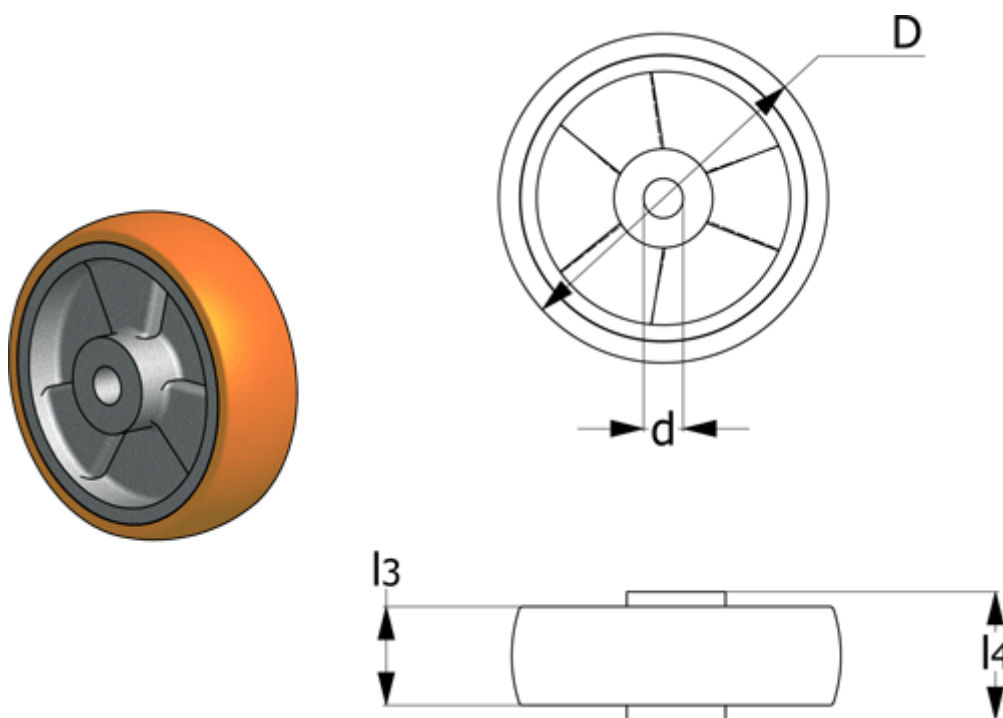
Data Sheet



Article number: 2314451511

Description: E+G Aluminiums wheel 451511
RE.F5-125-RSL loose

Measures



Code	= 451511
d	= 12
D	= 125
Dynamic load (N)	= 4000
l3	= 35
l4	= 40
Max static load (N)	= 5000
Rolling resistance (N)	= 2800

Type	= RE.F5-125-RSL
Weight (g)	= 500